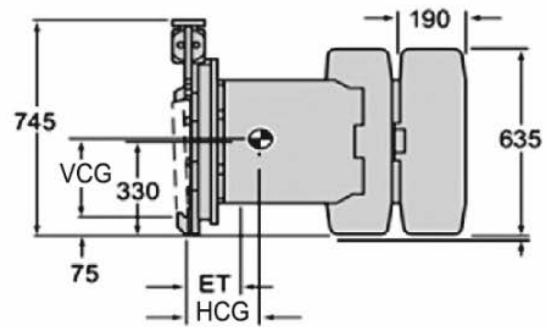
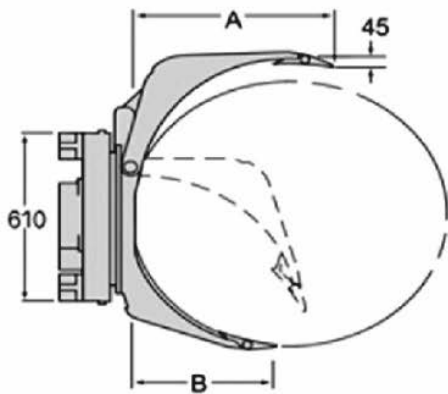


# Product Specification

## Forklift Hydraulic Single Arm Tyre Clamps



The DHE Materials Handling Forklift Hydraulic Single Armed Tyre Clamps are suitable for all kinds of Tyre handling, loading, unloading and stacking. Widely used in the Tyre industry. All our Forklift attachments are fully compliant and come with a conformance plate attached. A compliance certificate and operations manual are available upon request.



### Specifications

Capacity	Model	Mounting Class	Roll Range	Mounting angle	Long Arm Length	Short Arm Length	Long Arm Thickness	Contact Pad size	Weight	Effective Thickness	Horizontal Center of Gravity
(kg)			(mm)		A (mm)	B (mm)	C (mm)	WxH (mm)	(kg)	ET (mm)	HCG (mm)
1200	DHE-PTR15F-13A	11	410-1300	∞	790	580	60	230x1500	400	135	216
2000	DHE-PTR20F-2A	11	630-1300	∞	825	570	45	300x1500	717	197	282
2000	DHE-PTR20F-2B	111	630-1300	∞	825	570	45	300x1500	731	237	320
2000	DHE-PTR20F-4A	11	530-1500	∞	955	775	95	300x1500	794	197	280
2000	DHE-PTR20F-4B	111	530 - 1500	∞	955	775	95	300x1500	808	237	304
2000	DHE-PTR20F-5NB	11	630-1600	∞	955	775	95	300x1500	805	183	301
2000	DHE-PTR20F-7B	111	680-1830	∞	1130	930	115	300x1500	880	239	445
2000	DHE-PTR20F-8B	111	380-1830	∞	1130	930	115	300x1500	886	239	445

## Product Specification

### Hydraulic Flow & Pressure

Model	Min. Hydraulic Flow(L/min)	Rec. Hydraulic Flow(L/min)	Max. Hydraulic Flow(L/min)	Min. Hydraulic Pressure(Bar)	Max. Hydraulic Pressure(Bar)
DHE-PTR15F	20	40	60	35	160
DHE-PTR20F	20	40	60	35	160

### Rotator Specification

Model	Rotator Speed	Rotator Torque
DHE-PTR15F	5.2r/min@57L/min	9000N.M@160Bar
DHE-PTR20F	5.2r/m in@ 57L/min	9000N.M@ 160 Bar