

## MODEL DHE-TDS

## TILTING DRUM STAND

---

Instruction Manual





# **DHE Materials Handling Equipment**

## **Tilting Drum Stand**

### **Instruction Manual**

---

DHE Materials Handling Equipment  
28 Aster Avenue  
Carrum Downs VIC 3810  
Phone: 1300 067 281  
Fax: (03) 9775 1662  
Website: [www.dhemhe.com.au](http://www.dhemhe.com.au)

## Table of Contents

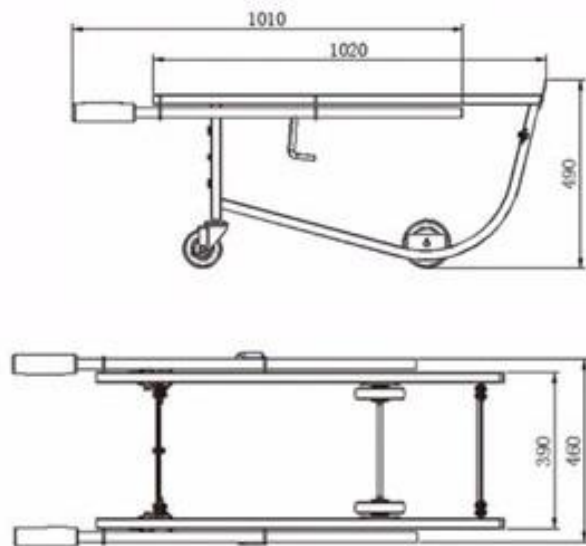
<b>1.0: FIGURE AND DIMENSION .....</b>	<b>3</b>
1.1 : FIGURE.....	3
1.2 : TECHNICAL SPECIFICATION .....	3
<b>2.0: OPERATING PROCEDURE .....</b>	<b>4</b>
<b>3.0: WARNING .....</b>	<b>5</b>

Tilting Drum Stands are virtually self loading as drums can be loaded and transported by one man, without him touching the drum. They expedite the easy handling of large and small drums. A safe ergonomic way to trip, drain & store 44g Steel drums. Units can be modified to also suit plastic drums. Plastic hand grips resists slipping when drums are being loaded or transported.

Can be purchased Flat Packed or Fully Assembled.

**1.0 : Figure and Dimensions**

**1.1: Figure**



**1.2: Technical Specification**

Model	DHE-TDS
Lifting Capacity	250kgs
Drum Size	210 Litre Steel Drum
Net Weight	14.5kgs

## **2.0 : Operating Procedure**

- Insert hand hook over top chime. Place foot on lower axle. Pull back on handles.
- Change foot to upper axle. Continue pulling back until all four wheels are on the floor.
- Retract handles and hook for storage.

**3.0 : Warning**

- Never overload the Tilting Drum Stand beyond its rated capacity.
- Do not modify this product without the permission of the manufacturer.