



MODEL DHE-DTF450

RAPTOR DRUM TROLLEY

Instruction Manual





DHE Materials Handling Equipment

Raptor Drum Trolley

Instruction Manual

DHE Materials Handling Equipment
28 Aster Avenue
Carrum Downs VIC 3810
Phone: 1300 067 281
Fax: (03) 9775 1662
Website: www.dhemhe.com.au

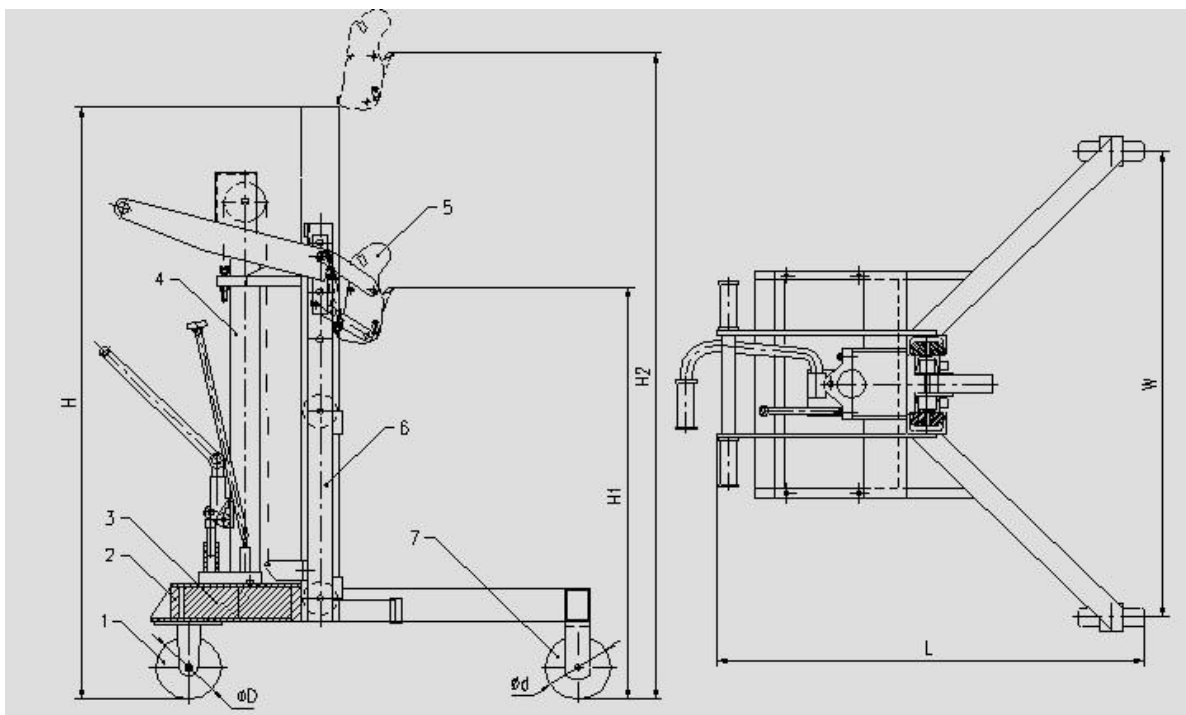
Table of Contents

1.0: FIGURE AND DIMENSION	3
1.1 : FIGURE.....	3
1.2 : TECHNICAL SPECIFICATION	3
2.0: OPERATING PROCEDURE	4
2.1 : LIFT DRUM.....	4
2.2 : TRANSPORT DRUM	4
2.3 : PUT DOWN DRUM	4
3.0: WARNING	5

The Raptor Drum Trolley easily glides over pallets to quickly load or unload drums up to 450kgs. It grabs drums from the middle of a standard sized pallet with a drum claw grab, raises the drum up, and then redistributes them through the facility. It also removes drums from the corner of containment skids. Lightweight and very easy to manoeuvre due to two poly wheels and two poly steering castors.

1.0 : Figure and Dimensions

1.1: Figure



1.2: Technical Specification

Model		DHE-DTF450
Lifting Capacity		450kgs
Lifting Height		500mm
Front Wheel Diameter		125mm
Rear Wheel Diameter		125mm
Length		900mm
Height	H	1250mm
	H1	880mm
	H2	1380mm
Width	W	1020mm
Lifting Per Stroke		11.6mm
Drum Size		210 Litres
Net Weight		165kgs

2.0 : Operating Procedure

2.1 : Lift Drum

Move the drum handler to drum's front for closing the forepart of support and clamp machine (5) with drum, then step on the brake of rear wheel (1).

The upper hook of support and clamp machine (5) rotate down to clamp the drum after stepping on pedal lever and go on stepping. The drum will be raised.

2.2 : Transport Drum

Release the brake after raising the drum, and push the handle of base track frame assy (2). The drum can then be moved.

Notice: To minimise hazard risk it is strongly recommended to move the drum whilst the drum's position is as low as possible.

2.3 : Put Down Drum

After moving the drum to the destination, slowly release the degressive valve lever until drum stand on the ground, the upper hook of support and clamp machine (5) will release the drum, then screw the degressive valve lever.

Notice: To minimise hazard risk it is strongly recommended to release the degressive as slow as possible while putting down the drum.

3.0 : Warning

- Never overload the Raptor Drum Trolley beyond its rated capacity.
- Place the drum on the low position when there is no requirement to lift.
- Raise the drum slightly on the ground when transit drum, do not need to lift it higher.