

## MODEL DHE-DE450

### DRUM TRUCK

---

Instruction Manual





# **DHE Materials Handling Equipment**

## **Drum Truck**

### **Instruction Manual**

---

DHE Materials Handling Equipment  
28 Aster Avenue  
Carrum Downs VIC 3810  
Phone: 1300 067 281  
Fax: (03) 9775 1662  
Website: [www.dhemhe.com.au](http://www.dhemhe.com.au)



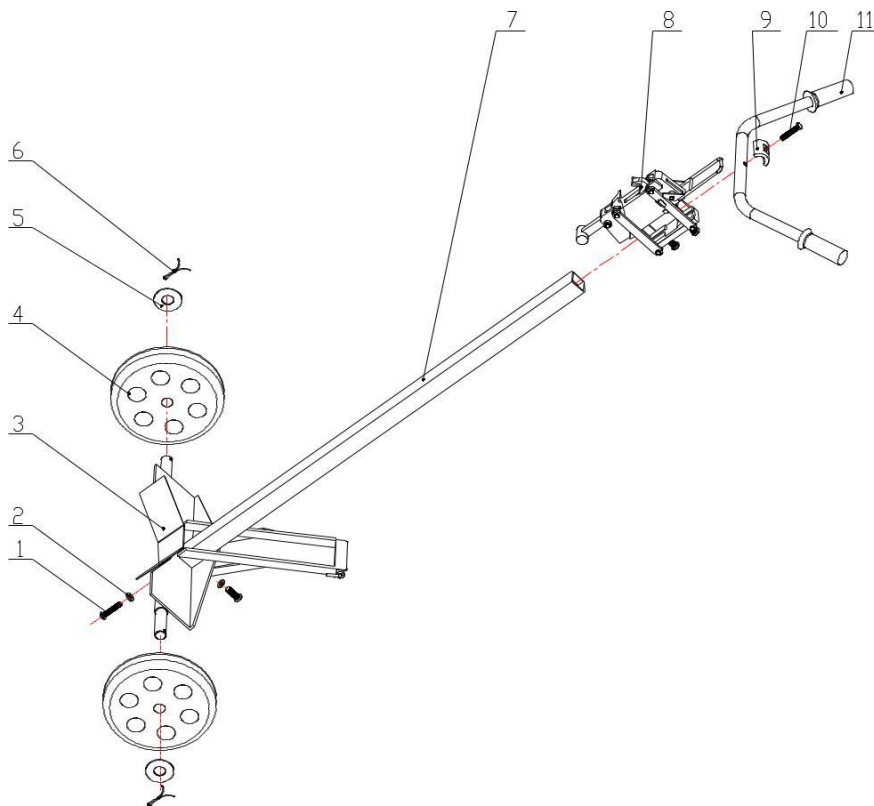
## Table of Contents

<b>1.0: FIGURE AND DIMENSION</b> .....	<b>3</b>
1.1 : EXPLODED VIEW & PART LIST .....	3
1.2 : TECHNICAL SPECIFICATION .....	4
<b>2.0: OPERATING PROCEDURE</b> .....	<b>5</b>
<b>3.0: WARNING</b> .....	<b>6</b>

The Drum Truck can be operated easily by one person. It is self standing with kickstand. The adjustable Drum Truck allows for transporting, tipping and storing of 113 Litre and 210 Litre drums.

**1.0 : Figure and Dimensions**

**1.1: Figure**



No.	Description	Qty	No.	Description	Qty
1	Hex bolt, M10x25	2	7	Pipe	1
2	Washer, φ10	2	8	Grip assy.	1
3	Pedestal	1	9	Half-circle washer	1
4	Wheel, φ250x50	2	10	Hex bolt, M10x50	1
5	Washer, φ26	2	11	Handle	1
6	Spring pin	2			

**1.2: Technical Specification**

Model	DHE-DE450
Lifting Capacity	450kgs
Drum Size	113 Litres or 210 Litre Drum
Overall Size	1520mm x 620mm x 1500mm
Unit Weight	28kgs
Wheel (Poly) Dia. X Width	250mm x 50mm

## 2.0 : Operating Procedure

- (1) The pipe (Part No. 7) must be vertical on the pedestal (Part No. 3) for using this drum truck rightly when assembling it.  
(**NOTE:** Numerals refer to part list on reverse side of this manual).
- (2) Please adjust the grip mouth height until it is 1cm higher than drum before using this drum truck.
- (3) Move the truck near the drum and pitch it. Lower the upper grip mouth until it reaches the drum rim, then step on the truck body by foot and pull the handle to grip the drum rim tightly by lower grip mouth.
- (4) Go on stepping on the truck body and pull the handle closer to the people to lift the drum off the ground until the gravity centre of drum is located between the two wheels.
- (5) Step on the truck body by foot and put up the handle slowly to land the ground safely after the drum truck has arrived at destination. Pitch the truck and loosen the grip mouth to move the truck and move foot away from the truck.
- (6) Stand the truck body on the ground to keep the drum truck safely.

### **3.0 : Warning**

- Never overload the Drum Truck beyond its rated capacity.

