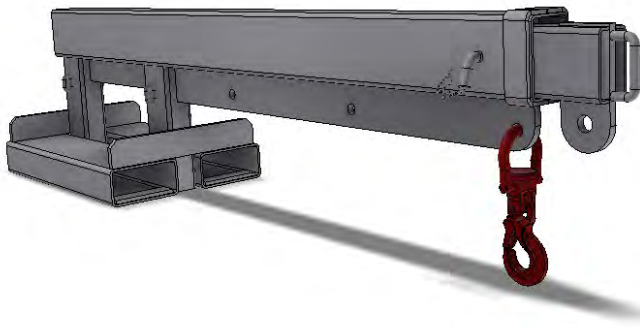


Product Specification

RIGID JIB 4.75 TON LONG DHE.RJL4.75

The Rigid Jib 4.75 Ton Long is an affordable general purpose jib. It is maneuverable in confined spaces with the ability to extend out to 3.5 metres when fully extended. Manufactured with a Zinc plated finish, they are supplied with a Safety Swivel Hook and Shackle.



SPECIFICATIONS:

- Safe Working Load (SWL 4750kg Max)
- Unit weight 170kg
- Load centre 935mm
- Pocket size 185 x 65 mm
- Pocket centres 275 mm
- Horizontal Centre of Gravity 1210mm
- Vertical Centre of Gravity 200mm

SAFE WORKING LOADS (SWL) PER POSITION								
POSITION	1	2	3	4	5	6	7	8
EXTENSION	935	1395	1855	2000	2380	2760	3140	3520
SWL (kg)	4750	4275	3800	3300	2500	1300	760	480

